

# Yeoman

A NATURAL WARMTH



## *Yeoman CL 3/5/7 Inset/ Milner Brick Free Standing Stove - Smoke Control Version*

MODELS: YM-CL3MF/YMCL5MF/YM-CL5W/YM-CL7NMF/YM-CLMB

## Instructions for fitting Smoke Control kit

For use in UK (United Kingdom)



This appliance has been certified for use in countries other than those stated. To install this appliance in these countries, it is essential to obtain the translated instructions and in some cases the appliance will require modification. Contact Yeoman for further information.

### IMPORTANT

This appliance will become hot whilst in operation, it is therefore recommended that a suitable guard should be used for the protection of young children, the elderly or infirm. Do not attempt to burn rubbish in this appliance.

Please read these Instructions carefully before installation or use.

Keep them in a safe place for future reference and when servicing the fire.

The commissioning sheet found on page 3 of the main instructions should be completed by the appliance Installer.

THESE INSTRUCTIONS MUST BE USED IN CONJUNCTION WITH PM227, PM553 OR PM559

# USER INSTRUCTIONS

## 1. GENERAL

1.1 These instructions apply to the Yeoman CL 3/5/7 Inset and CL Milner Brick when fitted with a Smoke Control kit.

NOTE: These appliances have been independently tested to the requirements of PD6434 and approved by DEFRA as an exempt appliance.

This exemption allows the burning of dry wood in Smoke Control areas ONLY when the 'Smoke control kit', as listed, is fitted.

Product Code	Appliance	Smoke control kit Part No.
YM-CL3MF	CL3 Multifuel	YM-CL3SCKIT
YM-CL5MF	CL5 Multifuel	YM-CL5MFSCKIT
YM-CL5W	CL5 Wood	YM-CL5SCKIT
YM-CL7NMF	CL7 Inset	YM-CL7SCKIT
YM-CLMB	CL Milner Brick	YM-CL7SCKIT

1.2 **To meet the Smoke Control requirement this appliance must be operated correctly in order to minimise the amount of smoke produced.**

1.3 Burn only dry wood or approved smokeless solid fuels.

1.4 These instructions must be left with the user and kept with the original instructions they superseded.

## 2. RECOMMENDED FUELS

2.1 **Wood Logs:**

Burn only seasoned timber with a moisture content of less than 20%.

Appliance	Maximum Length	Maximum Diameter
CL 3	200mm	100mm
CL 5	330mm	100mm
CL 7 Inset	325mm	100mm
CL Milner Brick	250	100mm

Allow cut wood to dry for 12 to 18 months before use

Poor quality timber:

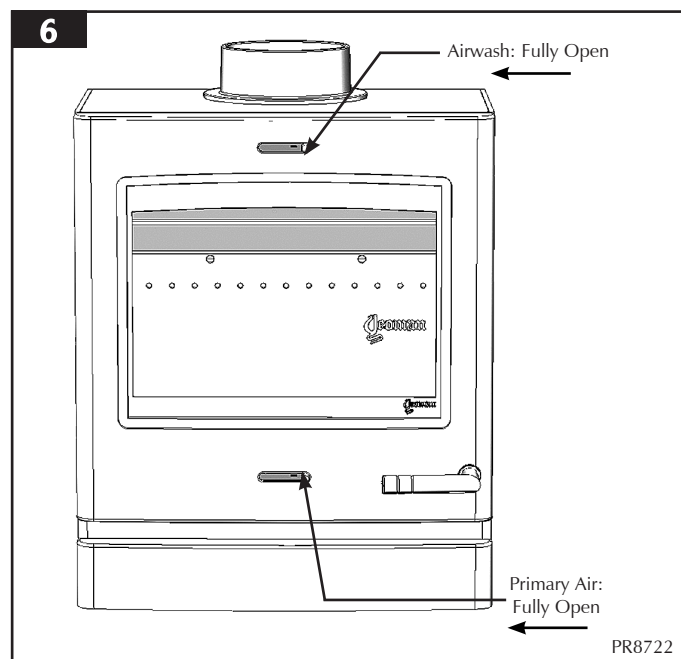
- Causes low combustion efficiency
- Produces harmful condensation
- Reduces effectiveness of the airwash and life of the appliance

**Do not burn construction timber, painted, impregnated / treated wood, manufactured board products or pallet wood.**

## 3. LIGHTING THE APPLIANCE

3.1 For best results:

Set air controls, Diagram 1.



Place firelighters or paper and dry kindling wood on the grate and light the paper or firelighters, Diagram 2.



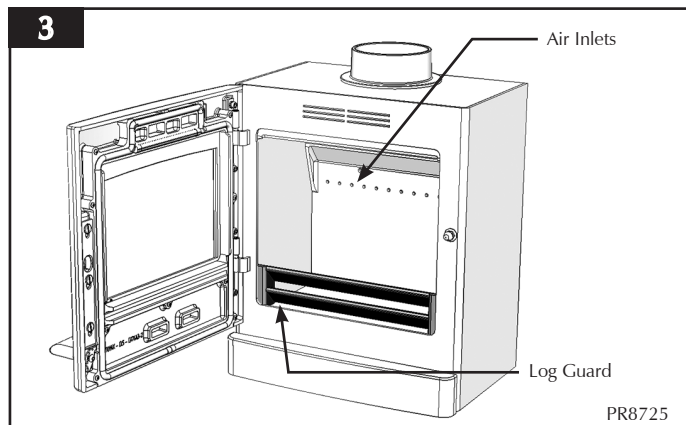
Leave the door slightly open as the fire establishes and the glass warms to avoid the build-up of condensation.

Add larger pieces of wood.  
Too many logs may smother the fire.

**Do not load fuel above the log guard and the secondary combustion inlets at the back of the firebox as this could cause excess smoke.**

Diagram 3

# USER INSTRUCTIONS



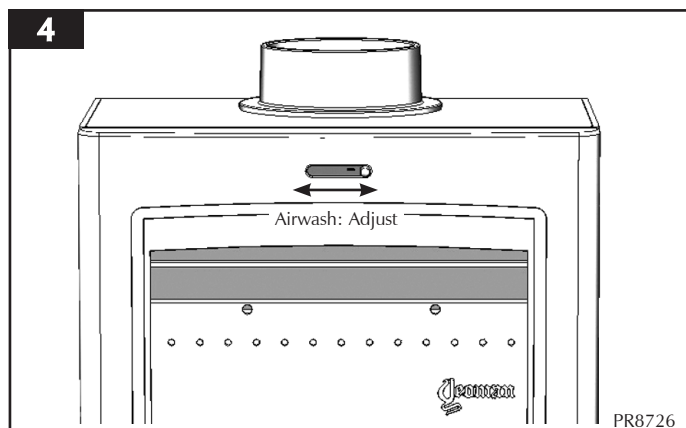
Close the door fully.

**The appliance must not be operated with the door open as this could cause excess smoke.**

## 4. RUNNING THE APPLIANCE

### 4.1 Burning Wood:

- Close the **Primary air control** and use the **Airwash** to control the burn rate when appliance is at operating temperature, Diagram 4.



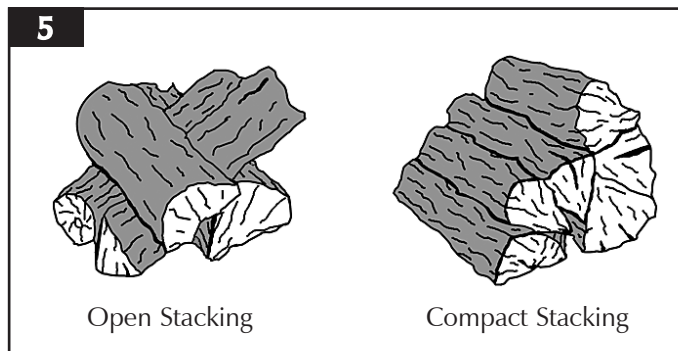
## 5. REFUELLING THE APPLIANCE

### 5.1 Open the Primary and Airwash air controls fully.

**Rake the embers evenly over the fire bed to establish a glowing firebed.**

**If the fire bed is low add a small amount of kindling wood to help re-establish the fire and prevent excess smoke.**

Stack the logs in an open arrangement, Diagram 5.



Open stacking allows oxygen to easily reach every part of the fire.

Compact stacking will make the wood burn slower as wood can only reach the outside of the fire. This will cause the fire to smoulder and produce smoke.

### 5.2 After refuelling:

**Burn the new logs at high output for 3 to 5 minutes before closing the Primary air control. Adjusting the burn rate using the Airwash air control.**

**Do not close the air controls until the fire is burning well.**

### 5.3 Experience establishes settings to suit personal preferences.

### 5.4 **Do not** burn large amounts of fuel with the **Airwash control** closed for long periods of time. This reduces the glass cleaning effect and causes tars and creosotes to build-up in the appliance and flue system and will produce excessive amounts of smoke.

### 5.5 When in use, burning the appliance at high output for a short period also reduces tars and creosote.

### 5.6 When running the appliance:

**Refuel little and often for clean, efficient burning.**

### 5.7 Wood burns best on a bed of ash.

**A bright and clean firebox indicates the appliance is burning well.**

### 5.8 **Do not load fuel above the log guard and the secondary combustion inlets at the back of the firebox as this could cause excess smoke.**

Diagram 3

# INSTALLATION INSTRUCTIONS

*These instructions cover the fitting of the Smoke Control Kit*

## 1. PARTS LIST

Product Code	Appliance	Smoke control kit Part No.
YM-CL3MF	CL3 Multifuel	YM-CL3SCKIT
YM-CL5MF	CL5 Multifuel	YM-CL5MF5CKIT
YM-CL5W	CL5 Wood	YM-CL5SCKIT
YM-CL7NMF	CL7 Inset	YM-CL7SCKIT
YM-CLMB	CL Milner Brick	YM-CL7SCKIT

### YM-CL3SCKIT:

1 x Air Control Stop

### YM-CL5SCKIT:

1 x Air Control Stop

### YM-CL5MF5CKIT:

1 x Air Control Stop

2 x M8x30 CSK Head Screws

2 x M8 Lock Nuts

1 x 10mm x 2mm self adhesive seal rope - 920mm long

1 x CA7560 casting

### YM-CL7SCKIT:

1 x Air Control Stop

## 2. INSTALLATION

2.1 To install the Smoke Control kit:

Remove internal packaging, Log Guard and baffle, see instructions for specific details.

### Cleanburn Chamber - CL 5 M/F only

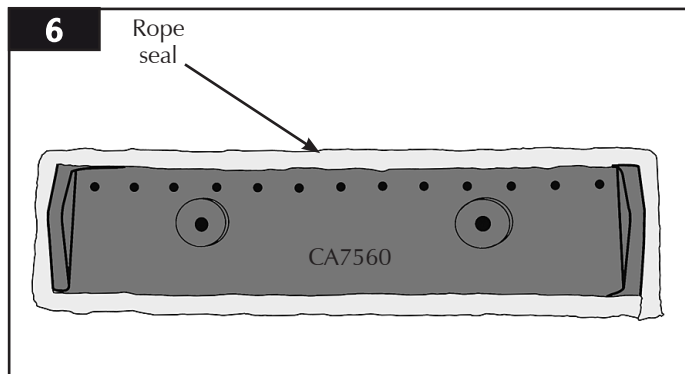
The first Stage is to modify the Cleanburn Chamber

2.2 The cleanburn chamber can be modified whilst in place on these models.

2.3 To modify the chamber:

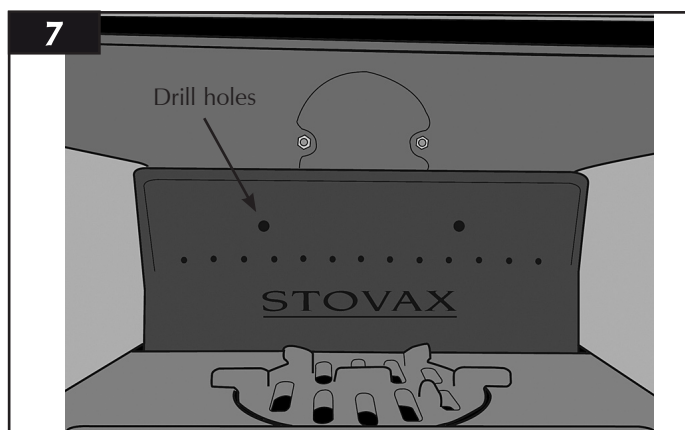
Fix the seal to the CA7560 part as shown, Diagram 6.

Line the CA7560 part, Diagram 6, up with the back of the baffle, Diagram 7.



2.4 Hold the part in position and ensuring that the seal touches all around the edge and mark the position of the fixings.

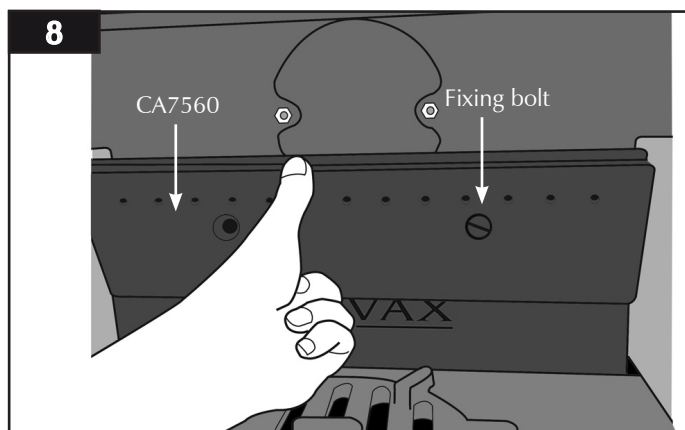
Use the holes in the CA7560 as a template to mark the position of the fixings, Diagram 7.



2.5 Drill the 9mm holes using a sharp drill.

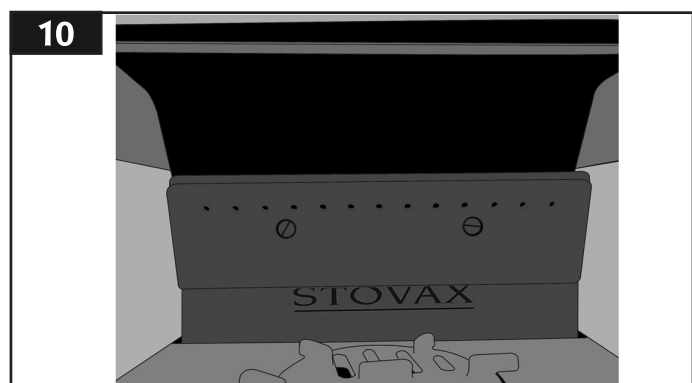
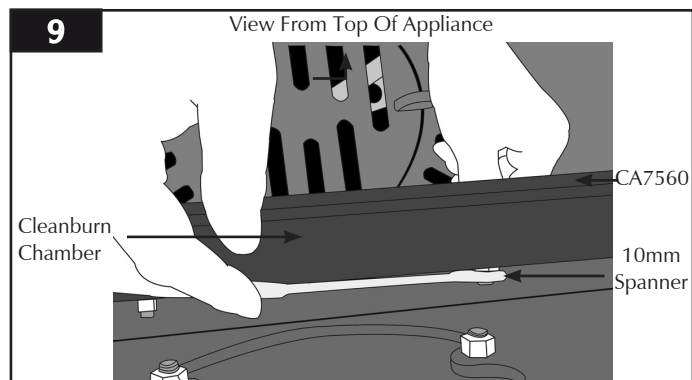
2.6 Hold the CA7560 in place and secure with the fixing bolts, Diagram 8.

Ensure the modification fits tightly to the chamber creating an effective seal around its edges.



# INSTALLATION INSTRUCTIONS

2.7 Tighten the fixings, Diagram 9.

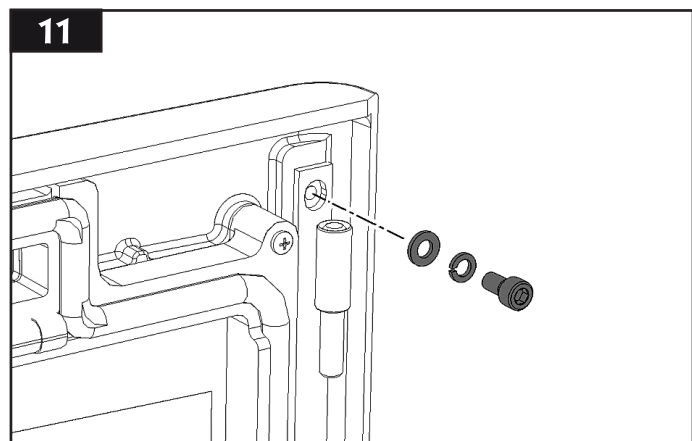


2.8 Stage one is complete.

## Door - All models

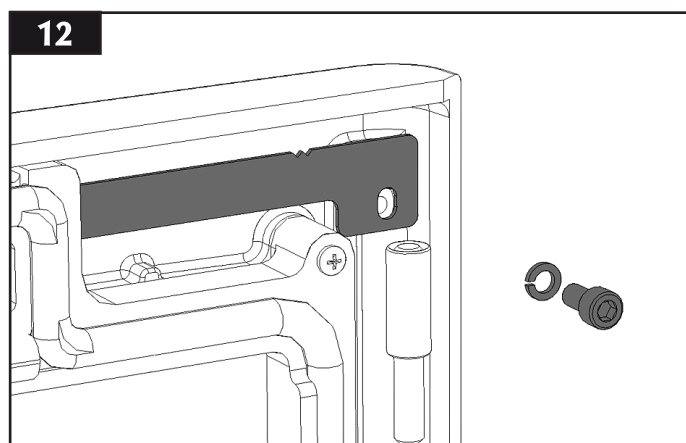
### Stage 2

2.3 Using a 5mm hex key remove the top hinge fixing screw on the rear of the door.

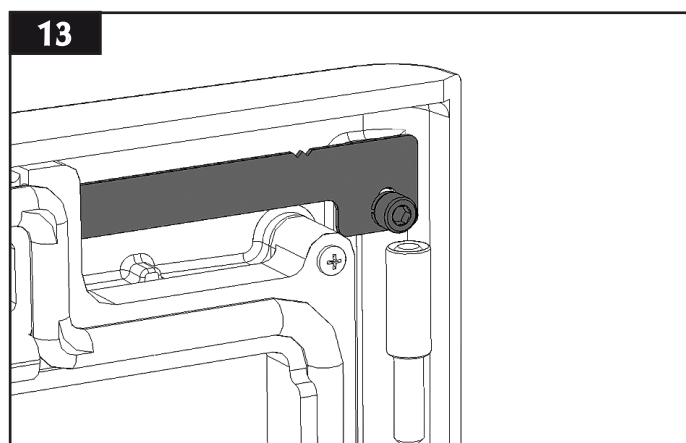


2.4 Open the airwash control fully.

Place the air slider stop in position, with the tag pointing up.



This will stop the control fully closing.



2.5 Refit the fixing screw and split washer only, disregard the solid washer.

2.6 Check the control moves freely.

## The Clean Air Act 1993 and Smoke Control Areas

Under the Clean Air Act local authorities may declare the whole or part of the district of the authority to be a smoke control area. It is an offence to emit smoke from a chimney of a building, from a furnace or from any fixed boiler if located in a designated smoke control area. It is also an offence to acquire an "unauthorised fuel" for use within a smoke control area unless it is used in an "exempt" appliance ("exempted" from the controls which generally apply in the smoke control area).

The Secretary of State for Environment, Food and Rural Affairs has powers under the Act to authorise smokeless fuels or exempt appliances for use in smoke control areas in England. In Scotland and Wales this power rests with Ministers in the devolved administrations for those countries. Separate legislation, the Clean Air (Northern Ireland) Order 1981, applies in Northern Ireland. Therefore it is a requirement that fuels burnt or obtained for use in smoke control areas have been "authorised" in Regulations and that appliances used to burn solid fuel in those areas (other than "authorised" fuels) have been exempted by an Order made and signed by the Secretary of State or Minister in the devolved administrations.

Further information on the requirements of the Clean Air Act can be found here: <http://smokecontrol.defra.gov.uk/>

Your local authority is responsible for implementing the Clean Air Act 1993 including designation and supervision of smoke control areas and you can contact them for details of Clean Air Act requirements"



A division of Stovax Ltd

**Falcon Road, Sowton Industrial Estate, Exeter, Devon, England EX2 7LF**

**Tel: (01392) 474500 Fax: (01392) 219932**

**E-mail: [yeoman@Yeoman.com](mailto:yeoman@Yeoman.com) [www.yeoman-stoves.co.uk](http://www.yeoman-stoves.co.uk)**